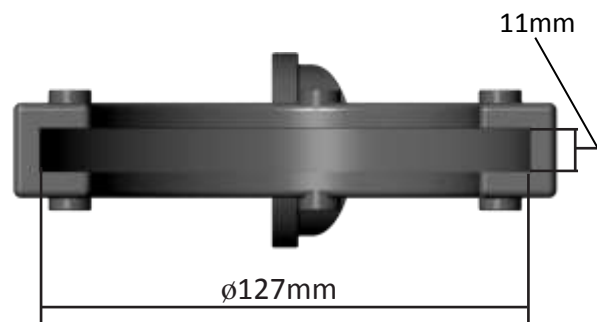
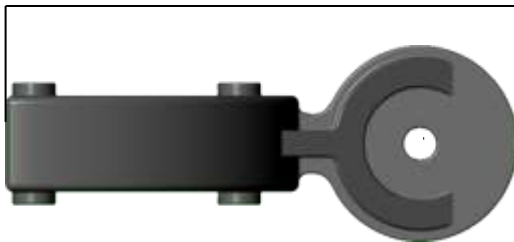


# Joystickholder EHC



106mm



Matches joystick Parker PCL 4