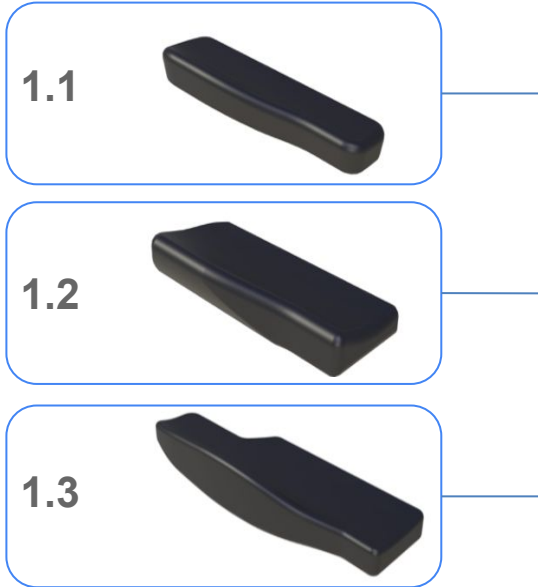


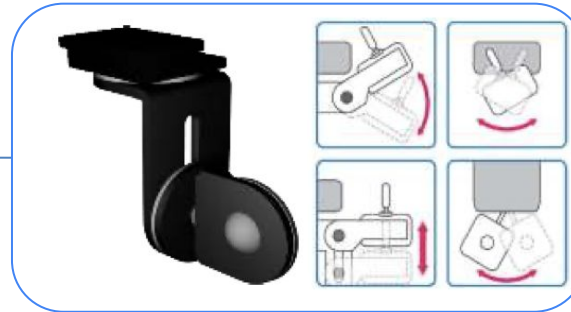
600S, 2000S & 5200

Step 1



- | | |
|-----------------|--------|
| 1.1 A pad right | F81392 |
| A pad left | F81727 |
| 1.2 C pad right | F80193 |
| C pad left | F80194 |
| 1.3 E pad right | F80591 |
| E pad left | F80939 |

Step 2



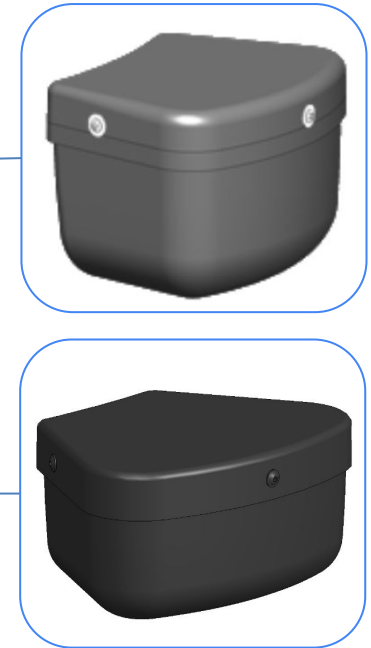
2. Multi joint F80098

Step 3



3. Special box joint F81829

Step 4



- | | |
|------------|--------|
| 4.1 Box | F81830 |
| 4.2 XL Box | F81886 |