

# 2000 & 2000E

## Step 1

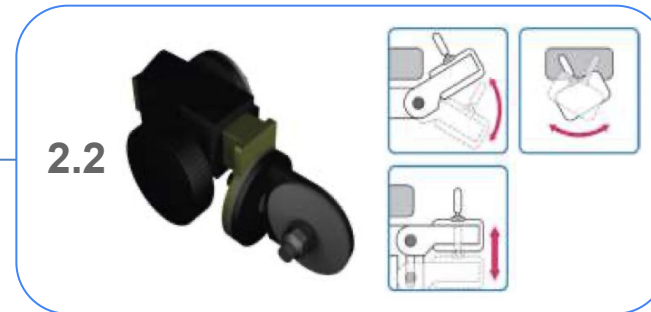


1. D pad (RH-LH) F70002

## Step 2



2.1 Joint F80257 for 2000



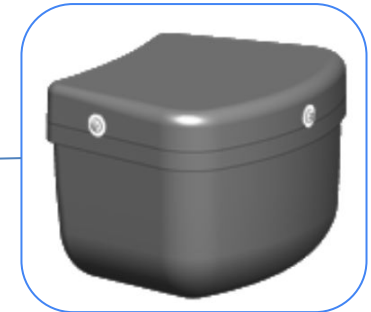
2.2 Joint F81178 for 2000E

## Step 3

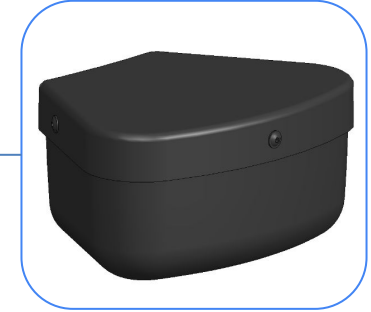


3. Special box joint F81829

## Step 4



4.1 Box F81830



4.2 XL Box F81886