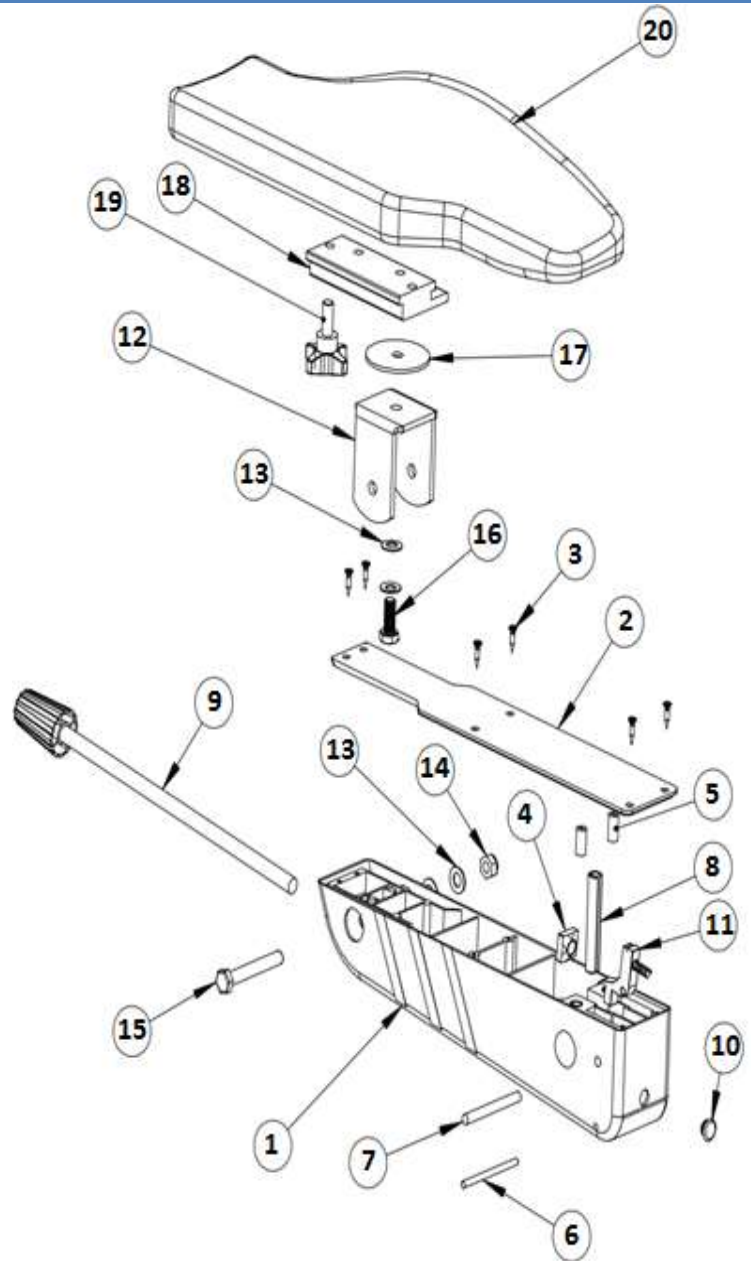


600S Ergo Flex Sturdy

ART. NO.	DESCRIPTION
1. 81186	Arm incl. inserts
2. 70206	Arm cover
3. 970005	Spax 3x16
4. 999354	Square nut M10
5. 970008	Set screw M8x16; plastic
6. 970003	Splined pin 4x55
7. 970004	Splined pin 6x55
8. 970010	Coiled spring pin 10x60
9. 80511	Adjustment screw com
10. 970006	Plug
11. 81187	Catch incl. spring
12. 80090	Swinging connector
13. 999368	Belleville washer M8
14. 999367	Lock nut M8
15. 997909	Bolt M8x60
16. 993025	Bolt M8x20
17. 999370	Friction washer 50mm
18. 80133	Rail holder
19. 999376	Star hand screw
20. 80591	Pad E incl. rail; right
80939	Pad E incl. rail; left



0520-48 82 30
www.frameco.se
info@frameco.se

Frameco 
 THE ARMREST MANUFACTURER