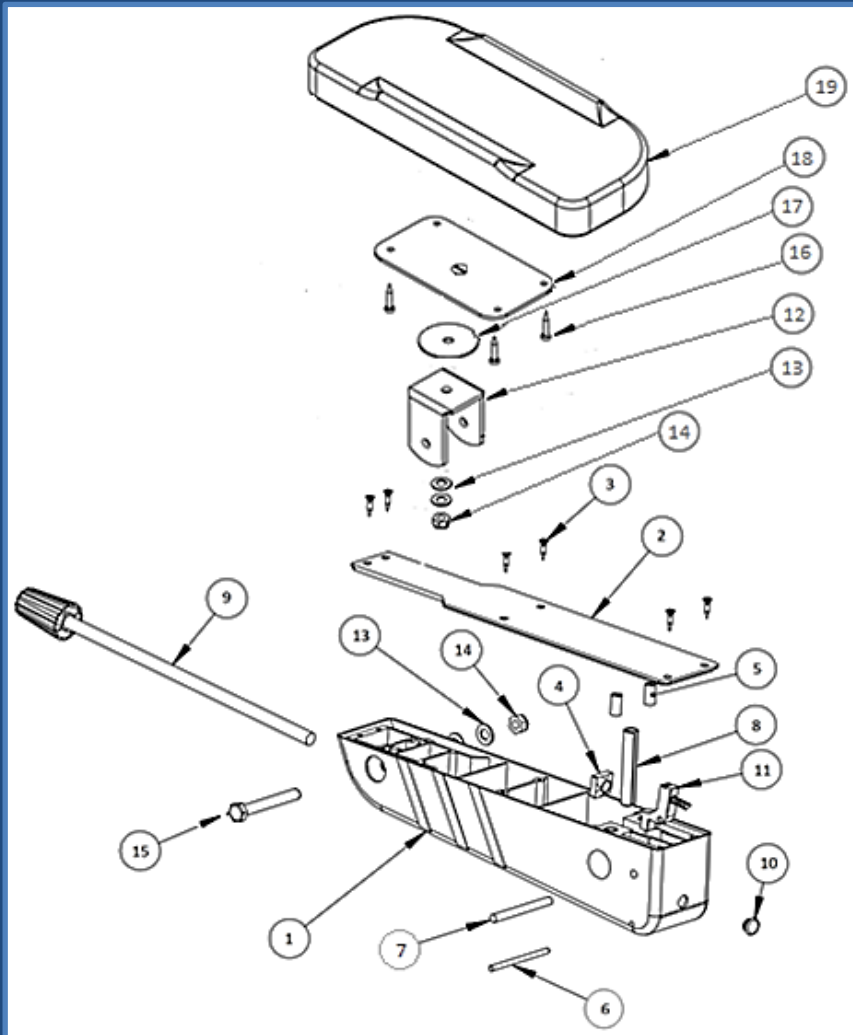


## 600 Ergo Flex Light



| ART. NO.  | DESCRIPTION             |            |                        |
|-----------|-------------------------|------------|------------------------|
| 1. 81186  | Arm 600 incl. inserts   | 10. 970006 | Plug                   |
| 2. 70206  | Arm cover               | 11. 81187  | Catch 600 incl. spring |
| 3. 970005 | Spax 3x16               | 12. 80090  | Swinging connector     |
| 4. 999354 | Square nut M10          | 13. 999368 | Belleville washer M8   |
| 5. 970008 | Set screw M8x16 plastic | 14. 999367 | Lock nut M8            |
| 6. 970003 | Splined pin 4x55        | 15. 997909 | Bolt M8x60             |
| 7. 970004 | Splined pin 6x55        | 16. 999527 | Spax 4x25              |
| 8. 970010 | Coiled spring pin 10x60 | 17. 999370 | Friction washer 50 mm  |
| 9. 80511  | Adjustment screw compl  | 18. 80509  | Mounting plate         |
|           |                         | 19. 70002  | Pad D                  |

Om ni söker ergonomiska  
armstöd är vi det  
självklara valet!

**Frameco**   
THE ARMREST MANUFACTURER



Frameco AB  
Installatörvägen 19  
S-461 37 Trollhättan  
+46 520 488230  
[www.frameco.se](http://www.frameco.se)