

# 600 Ergo flex light

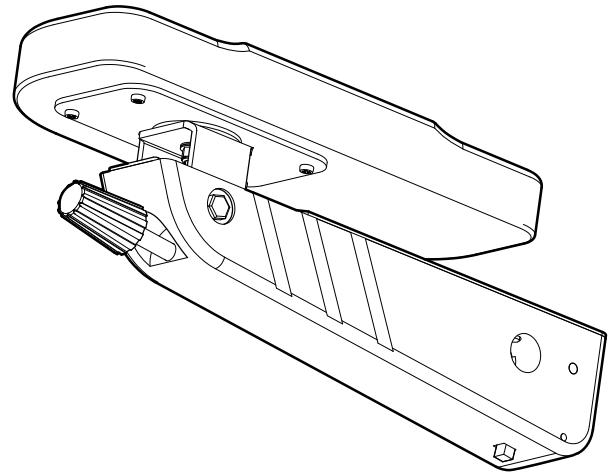
## 600 Ergo flex light

- **Flexible**
- **Stable solution**

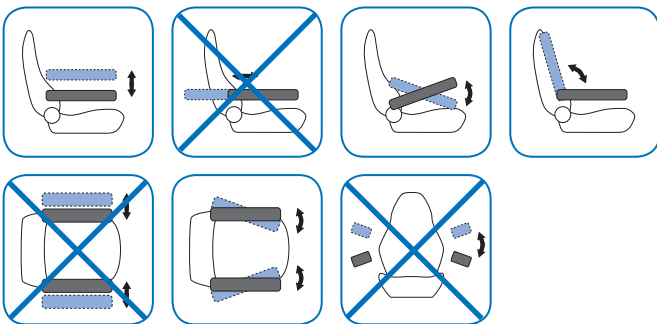
When we developed this armrest, we aimed at flexibility. At the same time it is steady solution for tractors, together with other agricultural- and woodland vehicles, as well as construction vehicles where a lightweight joystick is used. It is a friction armrest, which can be delivered with either a fixed or an adjustable pad.

### Technical Specifications:

Weight without seat adapter: 2,1kg  
Max. weight for a joystick: 1,5kg



### ADJUSTMENT POSSIBILITIES



### PAD OPTIONS

