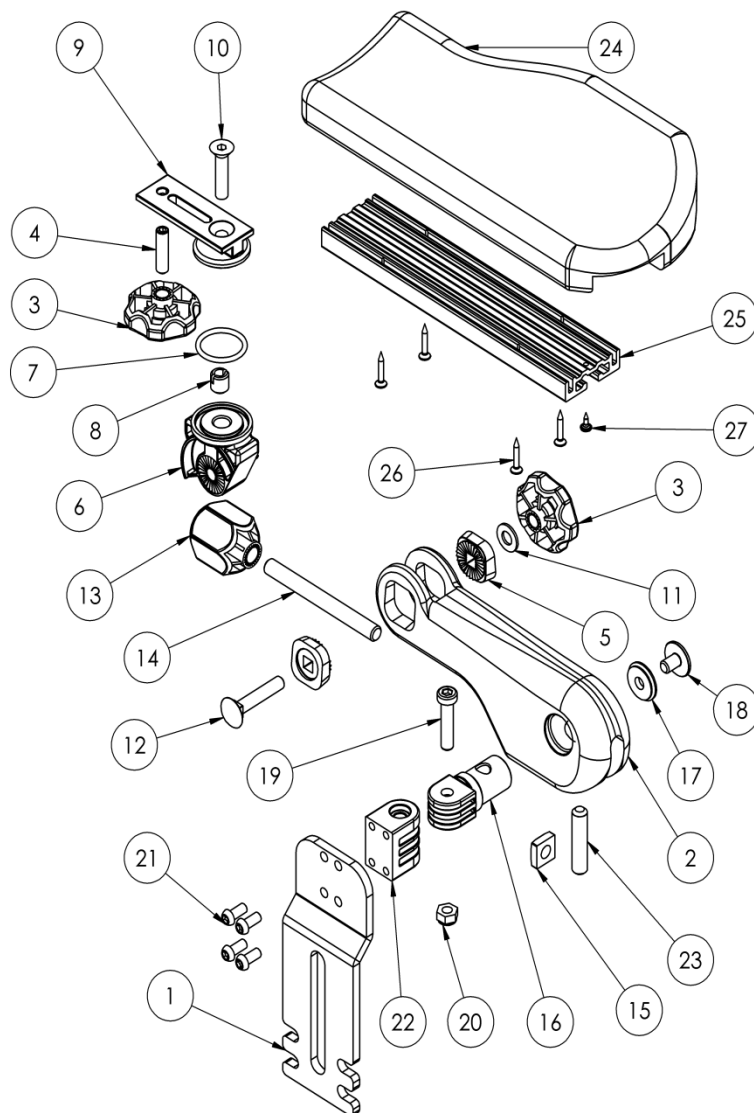


310 Ergo Comfort

ART. NO.	DESCRIPTION
1. Contact	Seat adapter
2. 70163	Arm 310
3. 70267	Short knob
4. 999357	Stopscrew M8x30
5. 70269	Jagged lockwasher 310
6. 70272	Pad adapter 310
7. 999356	O-Ring
8. 999360	Trisert M8
9. 80012	T-strip 310
10. 999355	Allen screw M8x35
11. 999528	Washer 9x18x1,5
12. 999355	Carriage bolt M8x45
13. 70266	High knob M10
14. 70591	Threaded Rod M10
15. 999354	Square nut M10
16. 71027	Hinge female 310
17. 70268	Washer hinge 310
18. 993318	Bolt w.flange M8x12
19. 999366	Allen screw M8x35
20. 999367	Locknut M8
21. 999365	Torx M6x14
22. 71028	Hinge male 310
23. 999351	Stopscrew M10x40
24. 70016	Pad C right
70017	Pad C left
25. 81077	Rail to pad C
26. 999353	Spax 4x25
27. 999352	Spax 4x10



16-18,23. 80164	Hinge female 310 complete
19-22. 80165	Hinge male 310 complete
16-23. 80166	Hinge 310 complete
3-4. 80232	Short handscrew M8
3-12. 80669	Pad adapter 310 compl. right
81231	
6-10. 80228	Pad adapter 310 compl. left